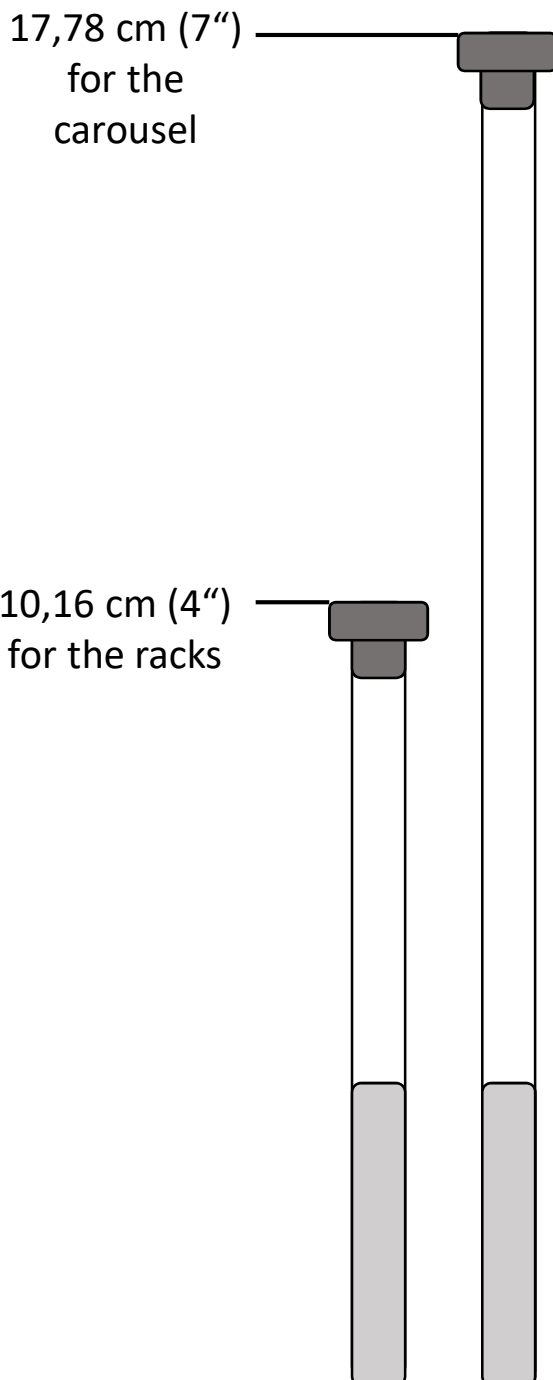




9-48148 IAAC B. Rambach  
9-48248 IOMC R. Patzschke  
9-48258 Dr. Díaz / L. Lange  
9-48253 Dr. Schlörer



## Tube Length for SampleJet



Please use the correct tubes and corresponding caps when using the SampleJet.

Use only 7" tubes for the open access carousel and only 4" tubes for the racks.

Please don't use the specified caps on any other spectrometer.

The recommended 4 cm filling height (roughly 550  $\mu$ l) remains the same.

Thank you!